

# NA - A9III

For Sony A9III Camera

PN 17437

**User Manual**  
Housing  
FF- MIL

|                          |    |
|--------------------------|----|
| Introduction             | 2  |
| Package Contents         | 2  |
| Important Instructions   | 3  |
| Part Names and Functions | 4  |
| Housing Mount            | 7  |
| Opening the housing      | 8  |
| Closing the housing      | 9  |
| Preparation for Use      | 10 |
| Optional Accessories     | 16 |
| Care/Storage             | 20 |
| Warranty                 | 21 |
| Specifications           | 22 |

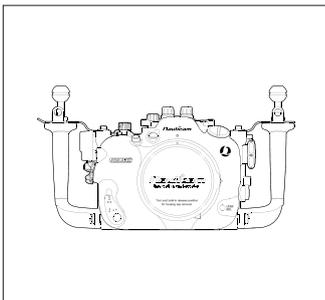
# INTRODUCTION

Thank you for purchasing this Nauticam product.

Before using the product, please read this manual thoroughly to familiarize yourself with full scope of functions on the product as well as ensuring that you will use the product correctly.

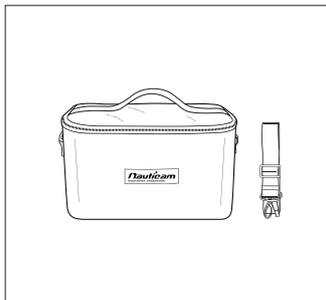
# PACKAGE CONTENTS

Make sure that you have all the included items listed below before using this product. If some items are missing or damaged, contact your local Nauticam dealer.

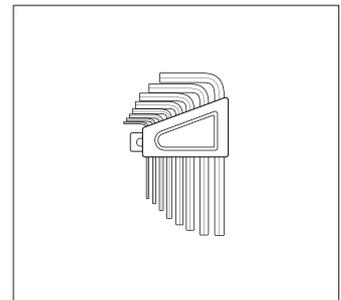


NA-A9III

(2x Plugs for Optical Fiber Cable Mount, 1 x Housing Cap, 2x Handles with Mounting Balls, 2x Handle Brackets)



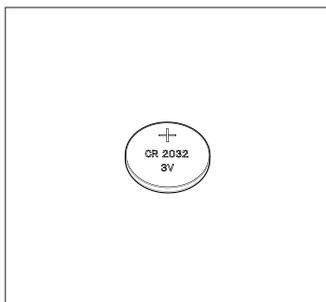
Padded Travel Case  
#36333



Allen key set

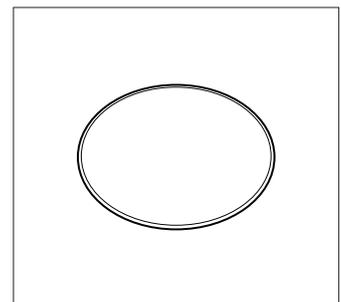


Lubricant



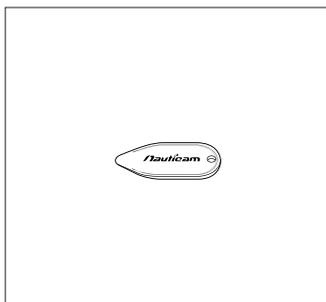
Panasonic CR2032 Battery

(Pre-installed for Moisture Alarm)

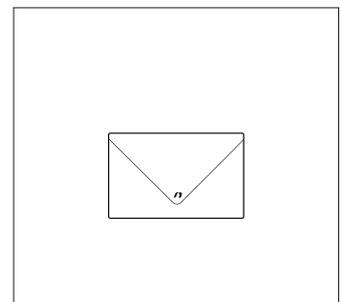


Spare Main O-ring  
#90120

After purchase, we suggest that you reuse all packaging materials for future travelling.



O-ring Remover



Manual Instruction Card

# IMPORTANT INSTRUCTIONS

1

Water-tight test of the housing (without camera inside) before usage is recommended as well as any O-ring renewal and port change.

2

Do not seal the housing when travelling by air as this may lead to a pressure difference between the atmosphere and inside the housing.

3

Only the accessories specified by Nauticam must be used. Third-party accessories may result in malfunctions or damage to the product.

4

Use only Nauticam lubricant on silicone rubber O-ring.

5

Do not stretch any O-rings excessively. Only remove it using Nauticam O-ring remover.



6

Discontinue use immediately when there is a sign of leakage.

7

Do not attempt to remove parts of the housing yourself. Repairs must be done at authorized service centers only.

8

The housing should be positioned on the a stable and safe surface on land.

9

Do not expose the housing in direct sunlight for a prolonged period.

10

Do not open the housing in wet or sandy environment. Protect the housing from moisture and debris in order to prevent malfunction or leakage.

11

Prevent any sand or dust or water penetration inside the housing. Be extra careful when changing lens and inserting or removing the camera.

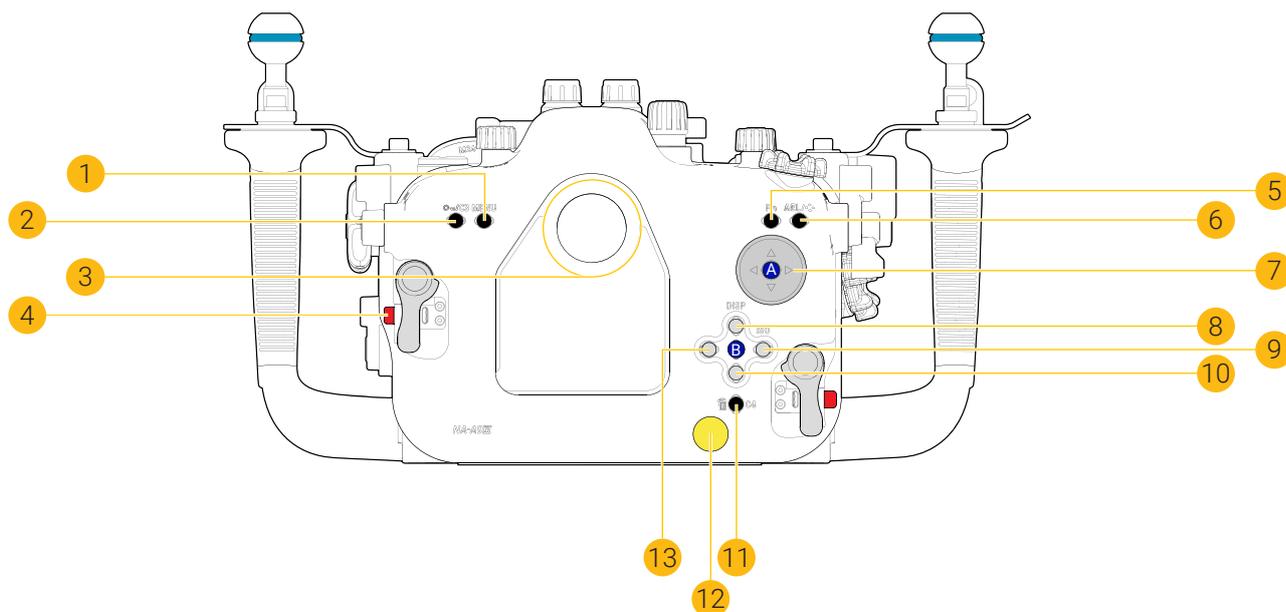


12

This product is not intended for use by children, or persons with reduced physical, sensory or mental capabilities, or lack of experience and knowledge, unless they are supervised and/or given instruction by a responsible person concerning use of the product to ensure that they can use it safely.

# PART NAMES AND FUNCTIONS

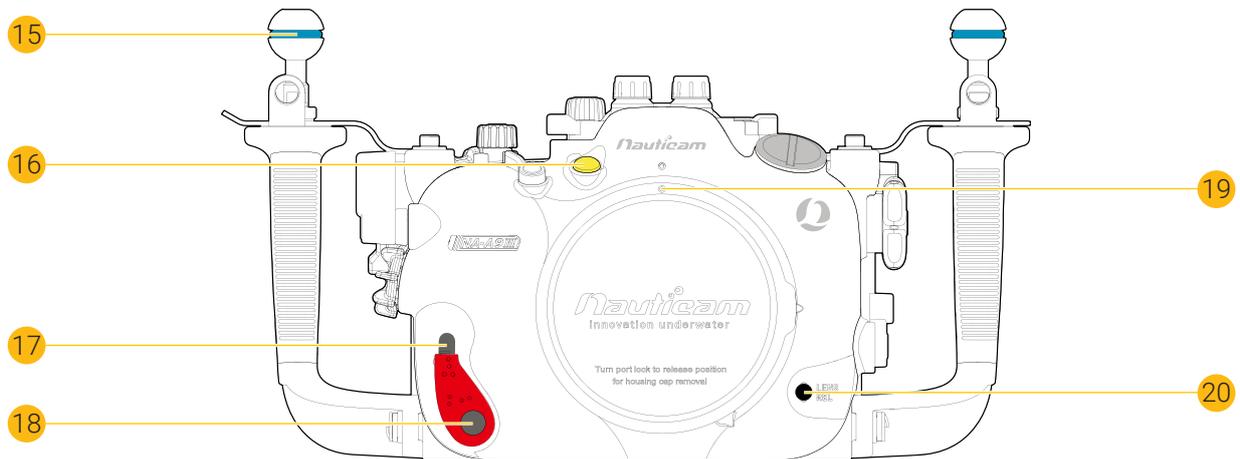
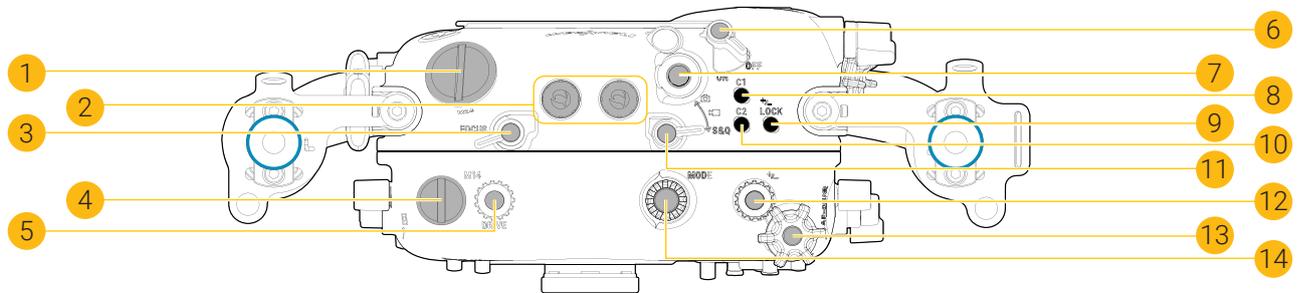
Rear View



- |    |                        |    |                         |
|----|------------------------|----|-------------------------|
| 1  | Menu button            | 2  | C3/Protect button       |
| 3  | Viewfinder             | 4  | Housing unlock button   |
| 5  | Fn button              | 6  | AEL/Image index button  |
| 7  | Multi selector         | 8  | Display button          |
| 9  | ISO button             | 10 | Control wheel - bottom  |
| 11 | C4/Delete button       | 12 | Moisture alarm window   |
| 13 | Drive mode button      | A  | Multi selector - center |
| B  | Control wheel - center |    |                         |

# PART NAMES AND FUNCTIONS

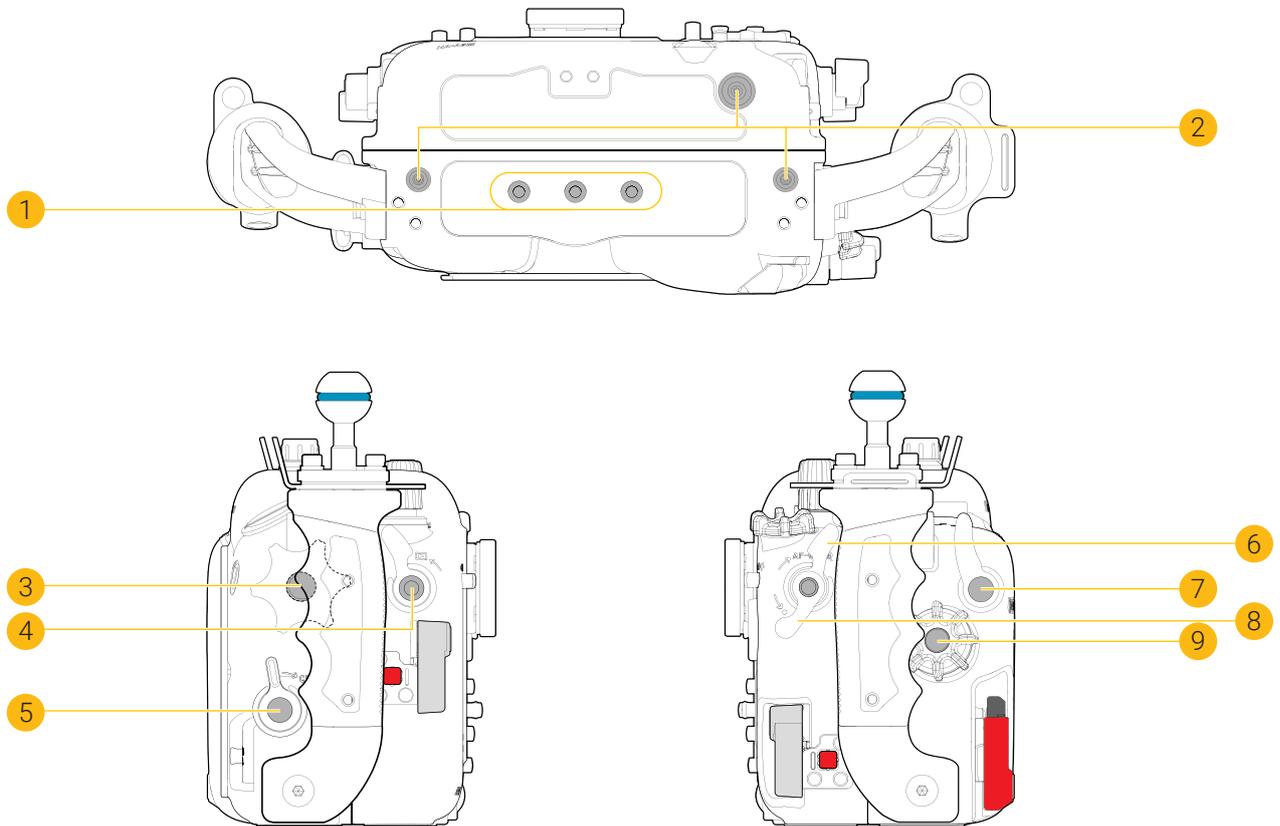
Top + Front Views



- |    |                                   |    |                                     |
|----|-----------------------------------|----|-------------------------------------|
| 1  | M24 Accessory port                | 2  | Optical fiber cable connection      |
| 3  | Focus mode lever                  | 4  | M14 Accessory port                  |
| 5  | Drive mode dial                   | 6  | Main switch                         |
| 7  | M10 Accessory port                | 8  | C1 button                           |
| 9  | Exposure compensation lock button | 10 | C2 button                           |
| 11 | Still/movie/S&Q lever             | 12 | Exposure compensation dial          |
| 13 | Rear dial                         | 14 | Mode dial                           |
| 15 | Accessory mounting ball           | 16 | AF illuminator/Visible light sensor |
| 17 | Port lock safety button           | 18 | Port locking lever                  |
| 19 | Port index mark                   | 20 | Lens release button                 |

# PART NAMES AND FUNCTIONS

Back + Side Views



1 1/4" Threaded tripod holes

3 Zoom/Focus knob

5 C5 button

7 Shutter release lever

9 Front command dial

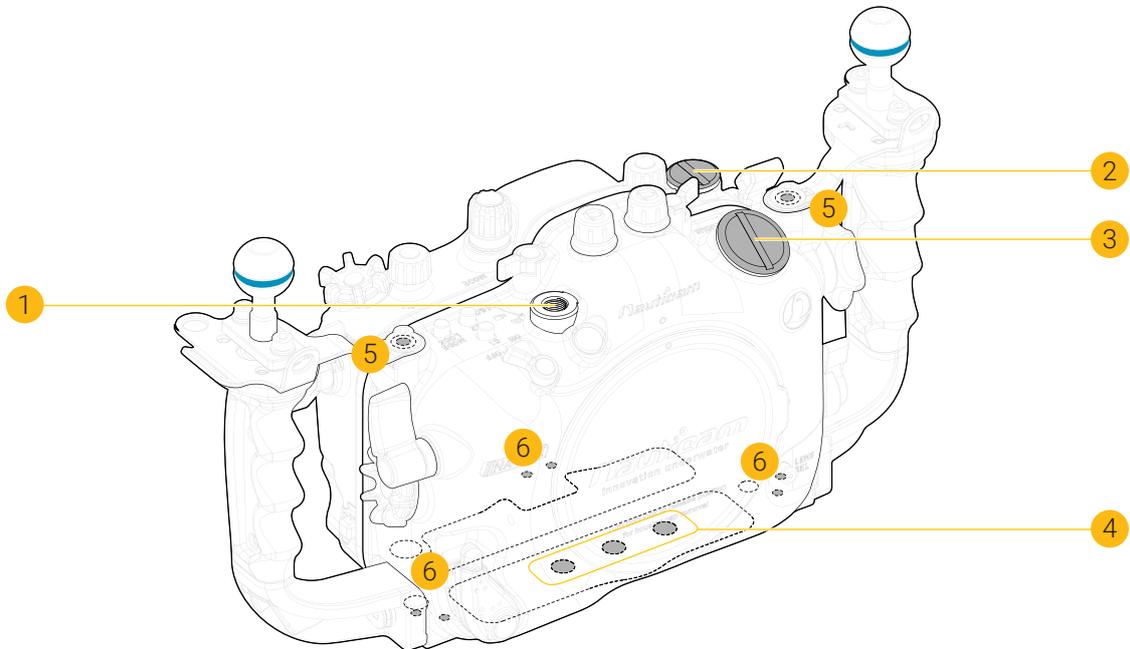
2 Sacrificial zinc anodes

4 Playback lever

6 AF-ON lever

8 REC button

# HOUSING MOUNT



## Housing mount

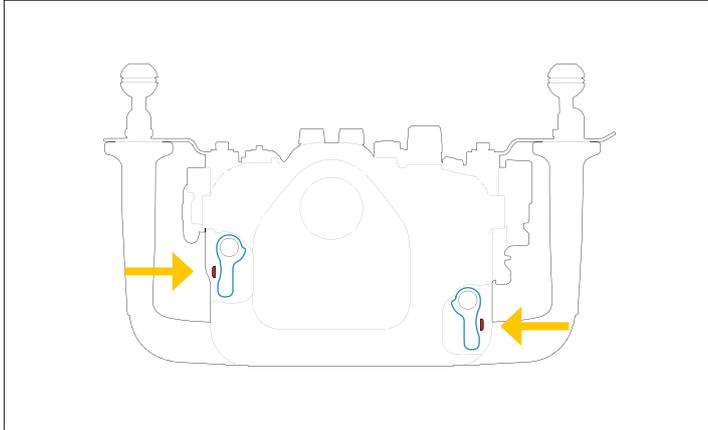
## Compatible accessories

|   |                           |       |  |                       |
|---|---------------------------|-------|--|-----------------------|
| 1 | M10 Accessory port        | 25221 | M10 Strobe Mounting Ball               |                       |
| 2 | M14 Accessory port        | 25624 | M14 Vacuum Valve II                    |                       |
|   |                           | 25056 | M14 Nikonos 5-pin Bulkhead             | Electrical triggering |
| 3 | M24 Accessory port        | 26326 | M24-M16 Adaptor for use with 26325     | USB-PD                |
|   |                           | 26325 | USB-C Bulkhead with USB-C Connector    |                       |
|   |                           | 25086 | M24 Adaptor for HDMI 2.0 Cable         | HDMI 2.0              |
|   |                           | 25099 | M24A2R200-M28A1R170 HDMI 2.0 Cable     |                       |
|   |                           | 26326 | M24-M16 Adaptor                        | HDMI 1.4              |
|   |                           | 25100 | HDMI (D-A) 1.4 Cable in 200mm Length   |                       |
|   |                           | 25033 | Standard HDMI Bulkhead with M16 Thread |                       |
| 4 | 1/4" -20 Mounting threads | 17954 | Universal Tripod Plate                 |                       |
|   |                           | 17960 | Universal Quadra-pod Plate             |                       |
| 5 | M5 Accessory ports        | 25228 | M5 Strobe Mounting Ball                |                       |
| 6 | M5 Threaded holes         | 25218 | Mounting Ball Set for Tripod           |                       |

# OPENING THE HOUSING

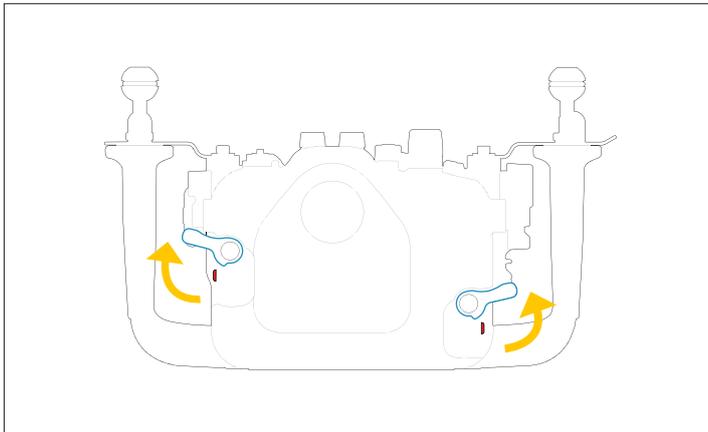
\* drawings as illustrations only

1



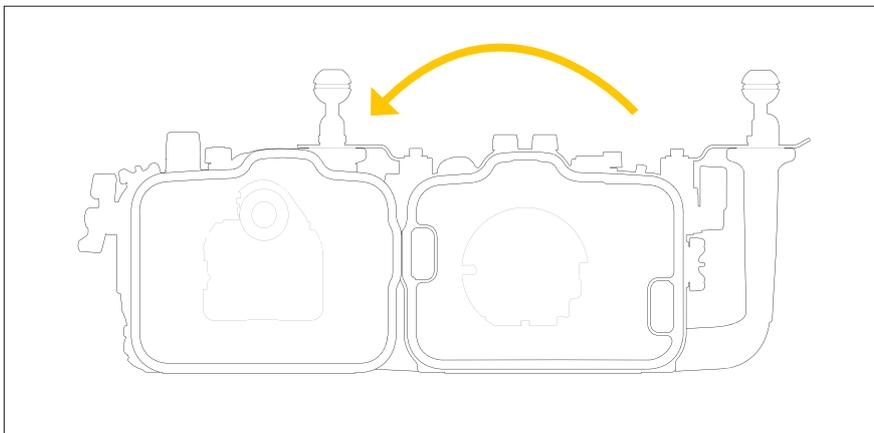
depress housing unlock button

2



turn housing lock outward

3

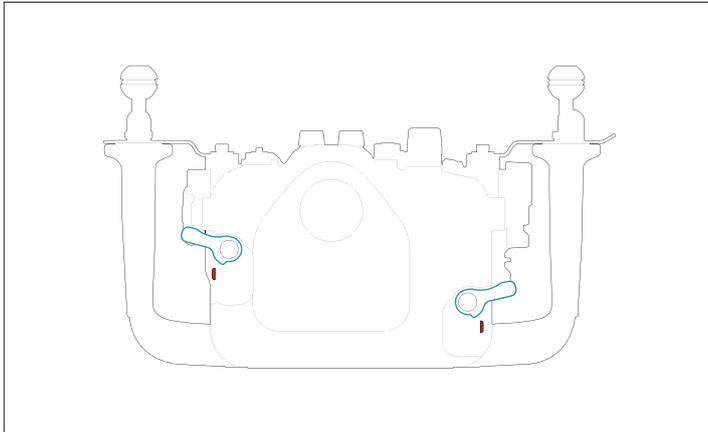


lift up the back housing

# CLOSING THE HOUSING

\* drawings as illustrations only

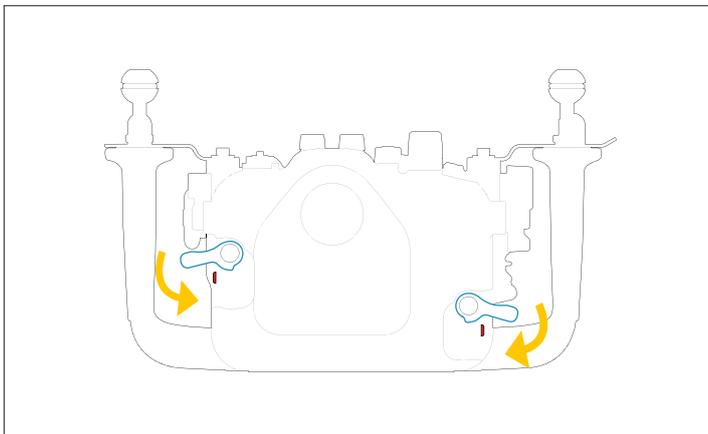
1



before closing the housing, clean and lubricate the main O-ring

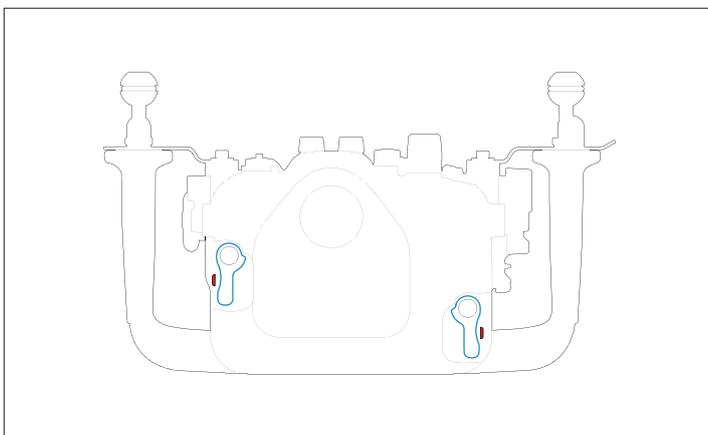
make sure nothing is caught between front and back housing and that they are fully aligned before locking

2



turn housing lock inward until you hear and feel it click into place

3



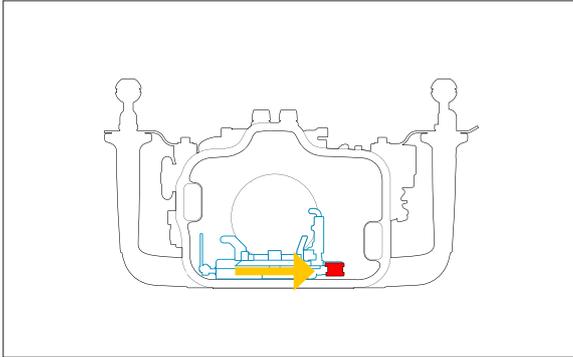
housing locked in place securely

# PREPARATION FOR USE

\* drawings as illustrations only

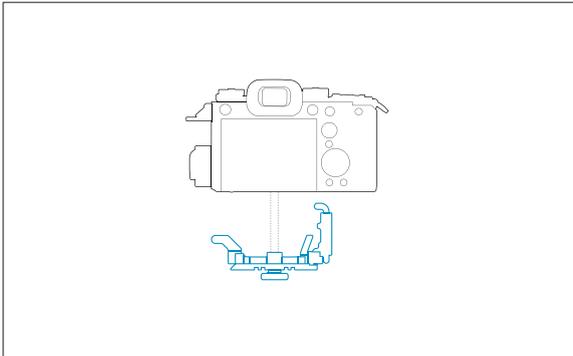
Installing the Camera - housing tray attachment

1



unlock camera tray lever and  
remove the tray from the housing

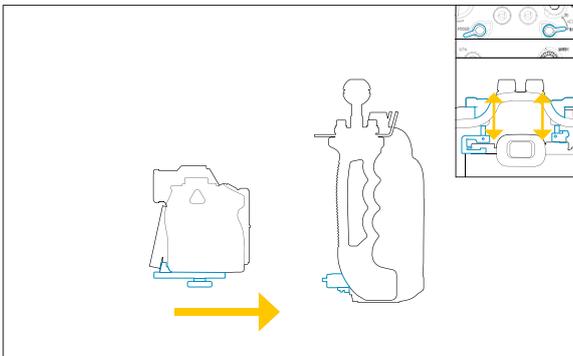
2



attach the camera tray by tightening  
the tray screw into the tripod socket  
of the camera

place the actuator on the camera  
tray in place and make sure it is  
engaged with the camera

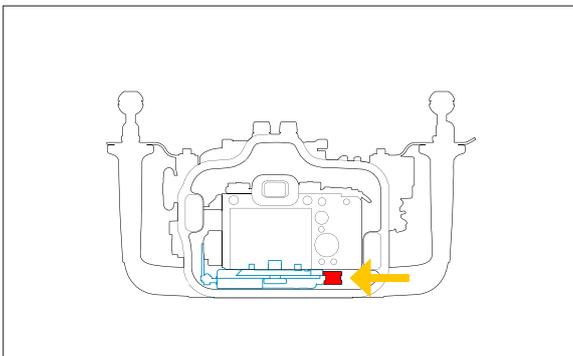
3



*\* lift up the Still/Movie/S&Q lever as  
well as the Focus lever and make  
sure both lever control on housing are  
aligned with camera controls before  
installing the camera into housing*

slide the camera tray back into the  
housing along the tray rail

4



*\* gently push the Still/Movie/S&Q lever and  
Focus lever downwards to make sure it is  
engaged with the lever on the camera and  
controls on housing are aligned with the  
camera*

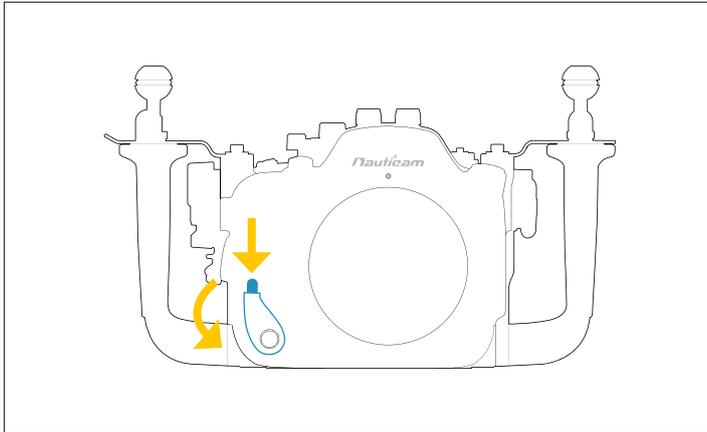
lock camera tray

# PREPARATION FOR USE

\* drawings as illustrations only

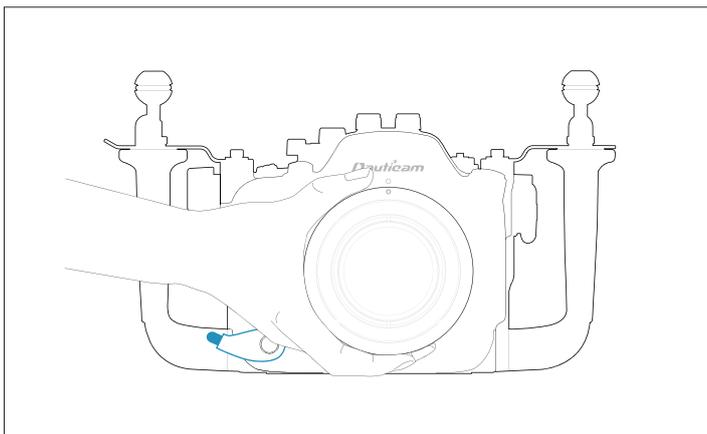
Port Mounting

1



depress safety button and rotate anti-clockwise

2

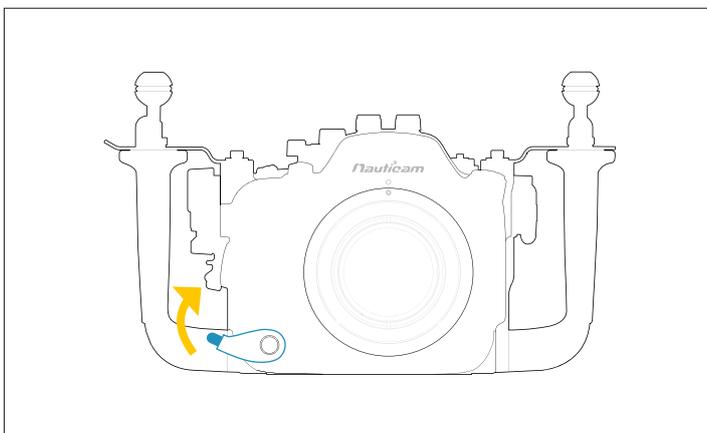


lubricant the port O-ring before mounting

align index mark

push port assembly straight in

3

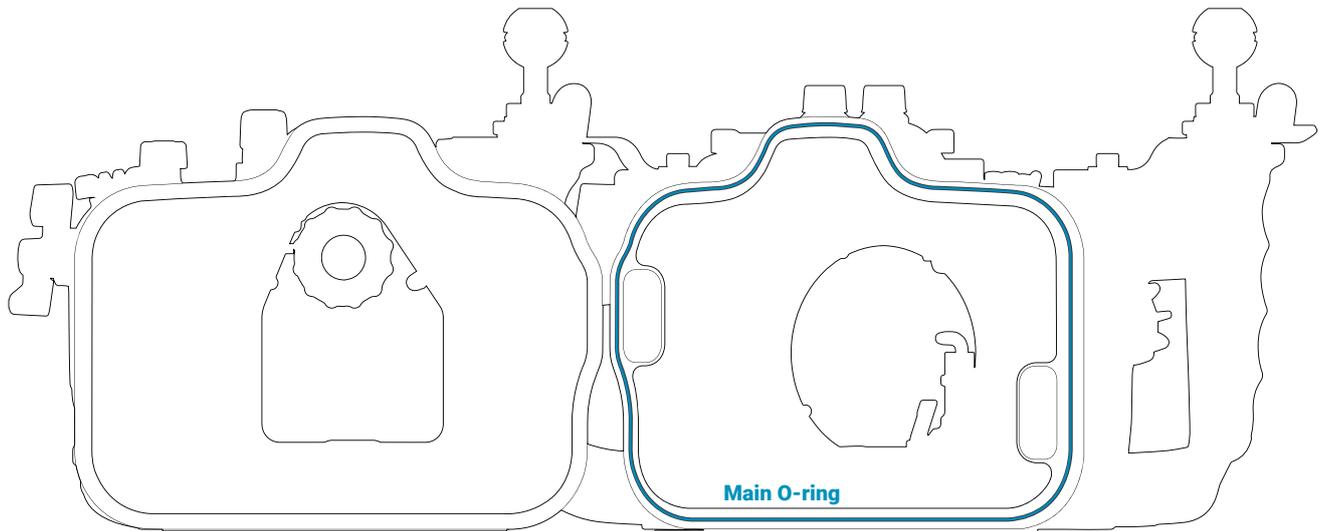


rotate locking lever clockwise to lock

# PREPARATION FOR USE

\* drawings as illustrations only

Coating housing O-ring

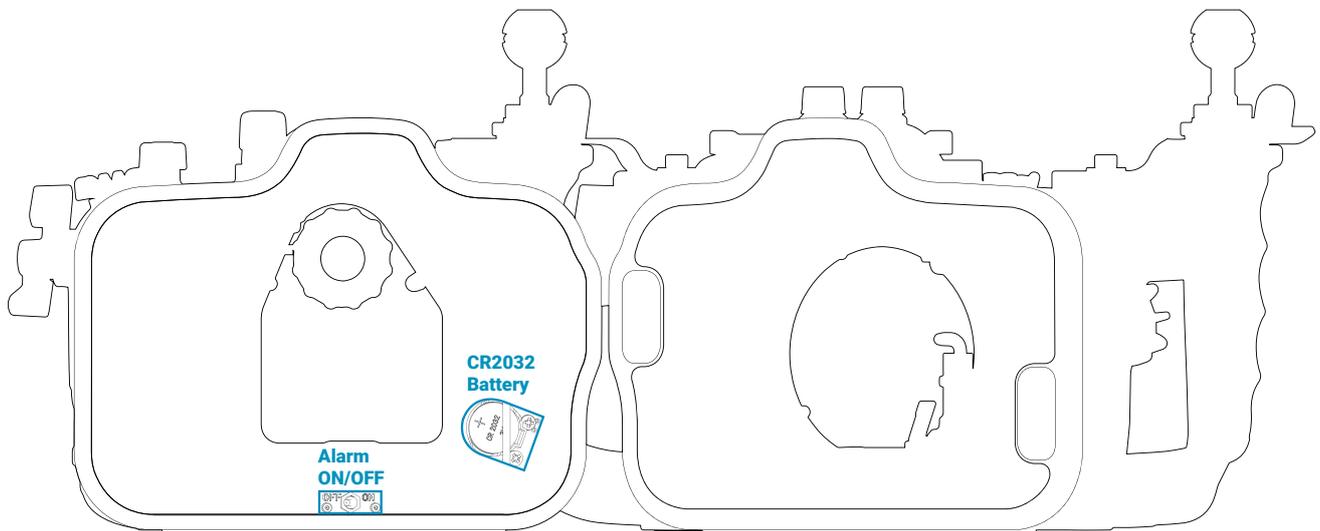


- 1  
remove the main O-ring using an O-ring remover
- 2  
clean the O-ring groove with a cloth and ensure that it is free from salt or other foreign materials
- 3  
lightly coat it with provided lubricant
- 4  
return the main O-ring by slowly pressing from one corner to the whole perimeter

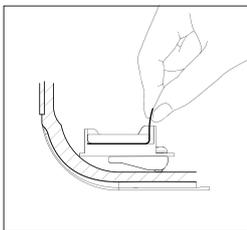
# PREPARATION FOR USE

\* drawings as illustrations only

Setting up moisture alarm

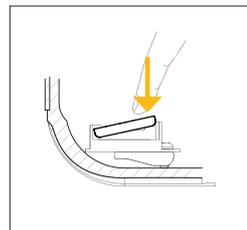


1



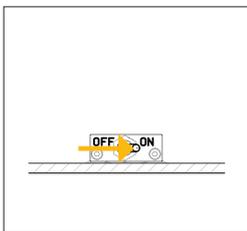
remove battery insulation film

2



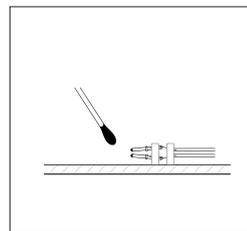
press the battery down until it click into place

3



switch on the alarm  
- the moisture alarm window will flash in **BLUE** when it is working correctly

4



test the alarm  
- connect the wires with a dampened cotton bud; the alarm will give a repeating 'beep' and the moisture alarm window will flash **RED**

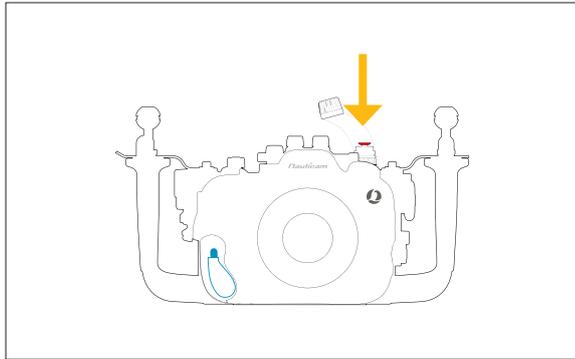
\* please contact our authorized service centers if testing fails  
\* please refer to page 16 for complete vacuum system guidance

# PREPARATION FOR USE

\* drawings as illustrations only

Changing lens/port without opening the housing

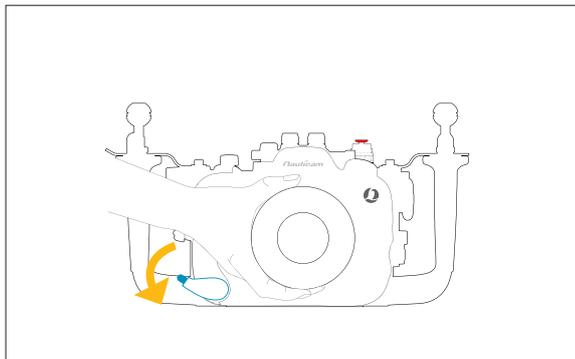
1



If using with vacuum valve :  
remove the cap from the vacuum valve and press the red button to release pressure before unlocking port lock

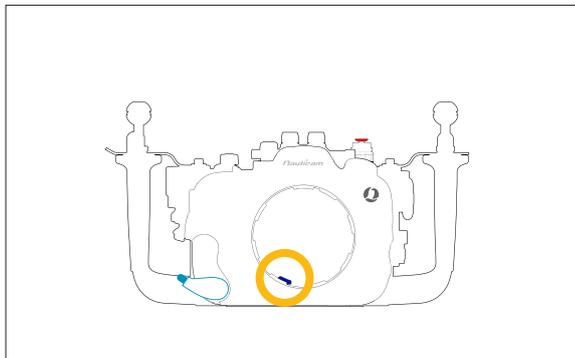
If using without vacuum valve,  
please follow from step 2

2



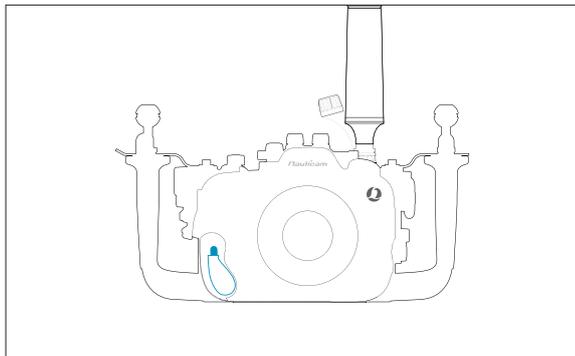
unlock port lock and remove port assembly

3



press the blue button to reset vacuum alarm before replacing port

4



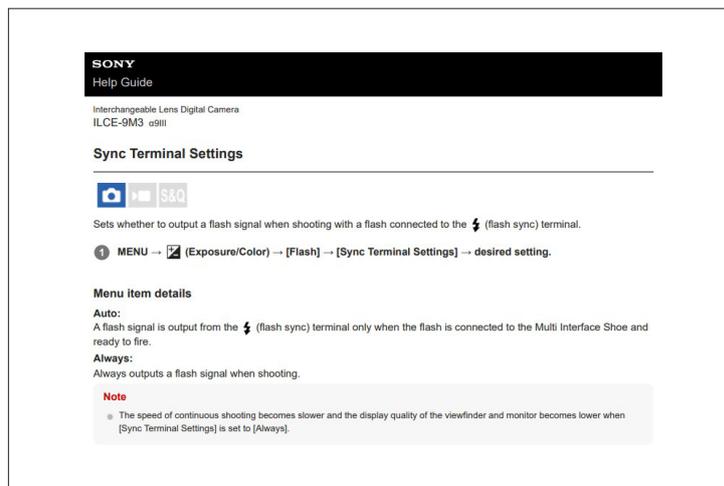
replace port assembly

then reset vacuum valve system using hand pump and close the cap after

\* please refer to page 16 on complete vacuum system guidance

# PREPARATION FOR USE

Please follow the below settings in order for the camera to output a flash signal to any external flashes :



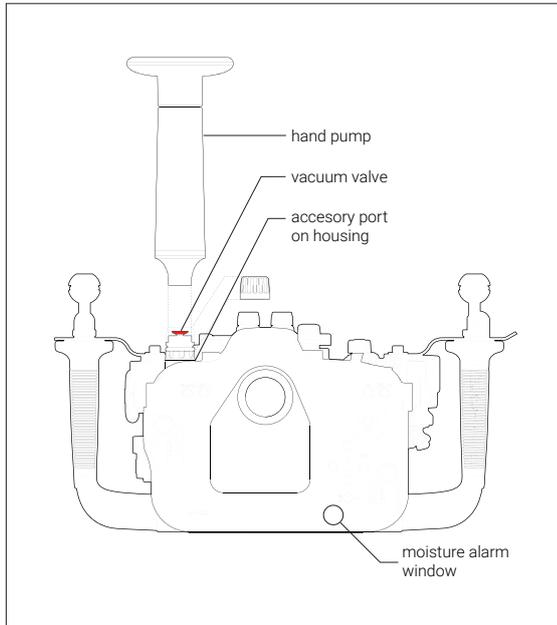
In the Custom Settings Menu under [Exposure/Color] → [Flash] → [Sync Terminal Settings] → [Always].

# OPTIONAL ACCESSORIES

\* drawings as illustrations only

Vacuum valve system

1



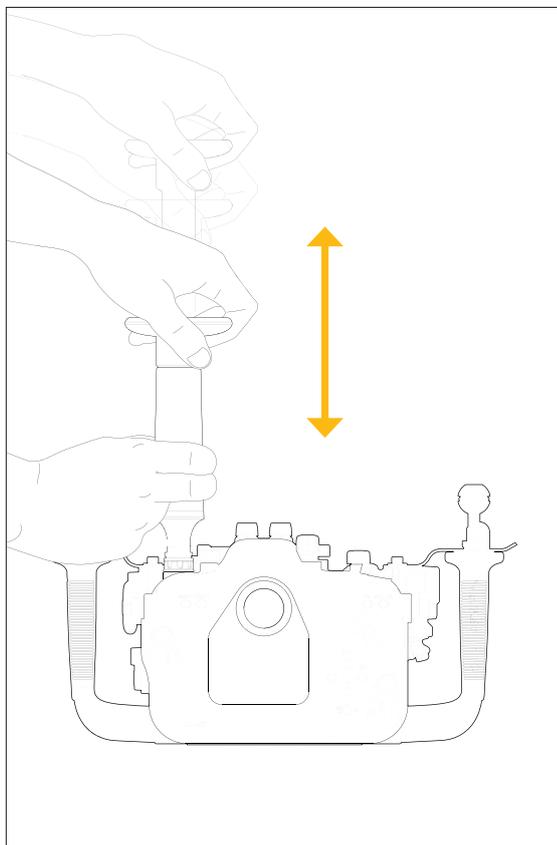
remove the plug of M14 accessory port from the housing

remove the cap from the vacuum valve

slightly lubricate the o-ring and make sure the o-ring is in place

then tighten the vacuum valve to the housing with the tool provided

2



connect hand pump to the valve and pump several times until it reaches the target vacuum level

close vacuum valve cap

Moisture alarm window colour indication :

|                          |  |  |
|--------------------------|--|--|
| Steady Blue              |  | device is turned on  |
| Flashing Blue            |  | standby mode, ready for pumping                                      |
| Steady Green             |  | target vacuum level is reached                                       |
| Flashing Yellow          |  | vacuum level is dropping   |
| Flashing Red             |  | vacuum is totally lost, circuit stalled until device is switched off |
| Alternating Blue and Red |  | vacuum is totally lost, circuit stalled until device is switched off |
| Steady Red               |  | out of battery   |

*\* It is recommended to leave the housing for at least 20mins to ensure it is sealed. If the LED light changes from steady green light to rapidly flashing yellow light, that means there is a leakage. Please check every O-ring and then conduct the vacuum test again.*

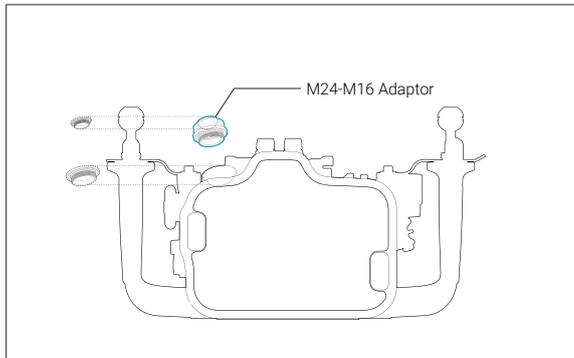
*\* please contact our authorized service centers if testing fails*

# OPTIONAL ACCESSORIES

\* drawings as illustrations only

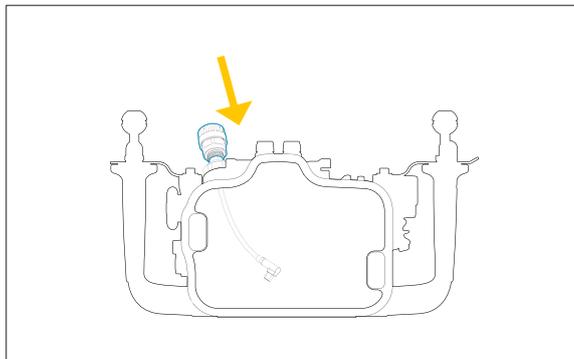
Installing Surface USB-PD Power Bank

1



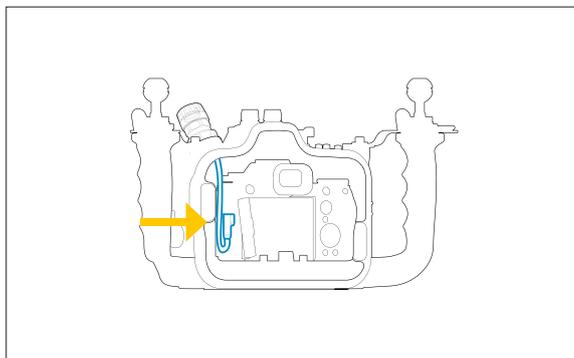
unscrew the M24 accessory port cap from the camera housing and screw the M24-M16 adaptor into the housing port

2



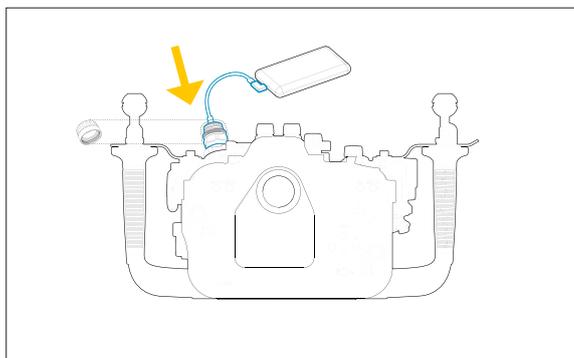
plug the USB-C Bulkhead into the accessory port, gently push the connection head into the accessory port until it cannot go further then tighten it by turning the locking nut.

3



plug the cable into the USB Type-C jack on the camera with camera tray attached before sliding into the camera housing

4



slide the camera tray into the housing along the tray rail then lock camera tray

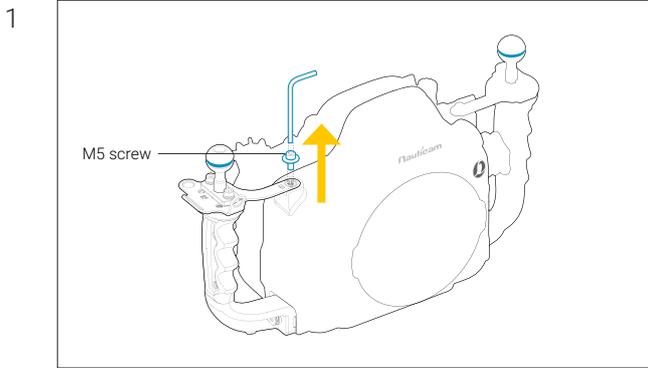
plug the power bank with USB Type-C connector into the USB-C bulkhead

# OPTIONAL ACCESSORIES

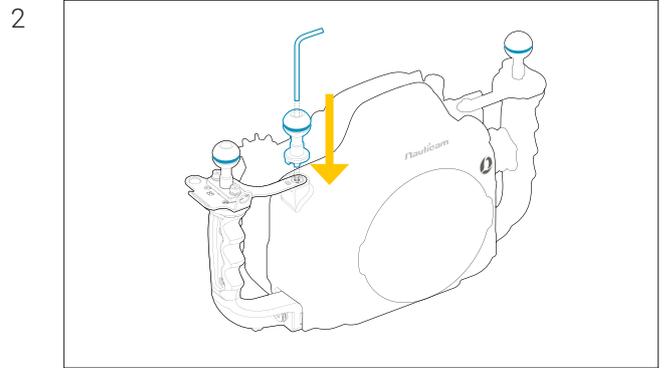
\* drawings as illustrations only

Strobe Mounting Ball

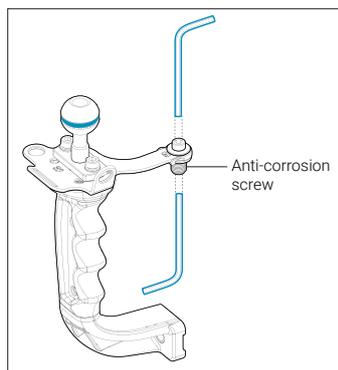
## Installing M5 Strobe Mounting Ball - **RECOMMENDED**



remove M5 screw with the allen key provided in the housing package

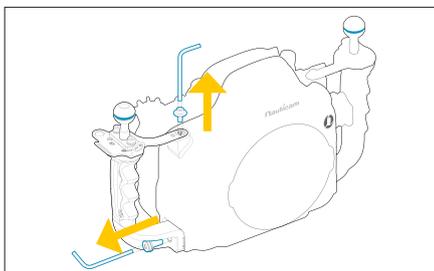


screw #25228 M5 Strobe mounting ball directing onto the M5 thread

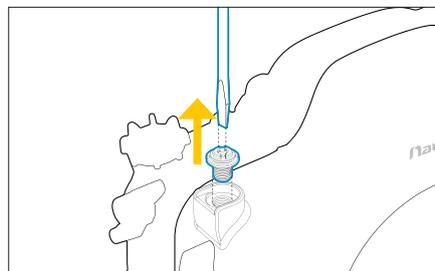


*\* the anti-corrosion screw may also be unscrewed while removing M5 screw, if this is happening, you can separate the parts as shown in the diagram on the left*

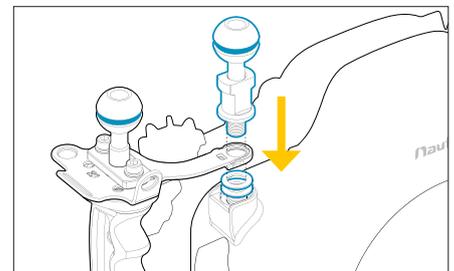
## Installing M10 Strobe Mounting Ball - Optional



remove M5 screw and housing handle screw on the side

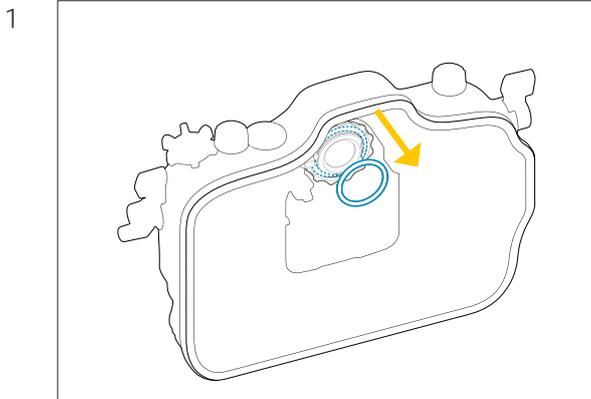


take out the handle and remove the anti-corrosion screw

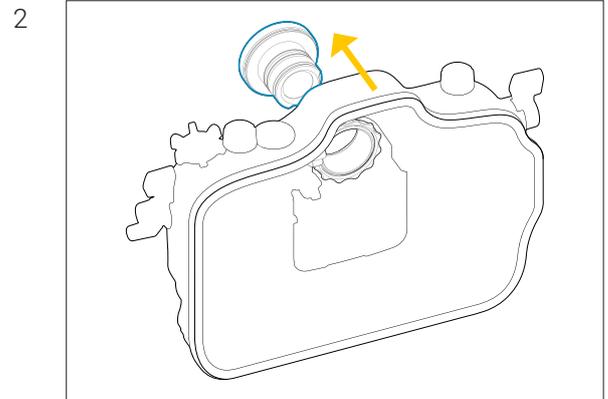


screw the M10 strobe mounting ball onto the housing as shown

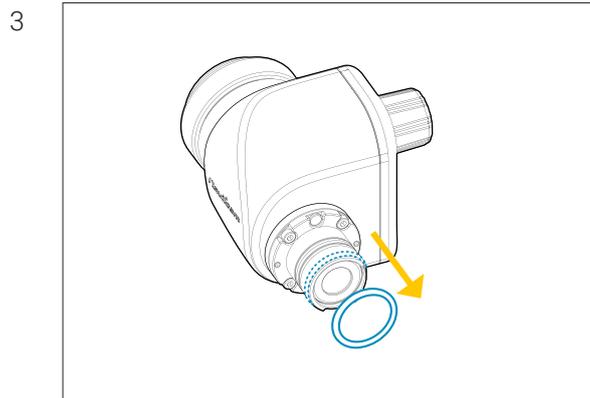
# OPTIONAL ACCESSORIES



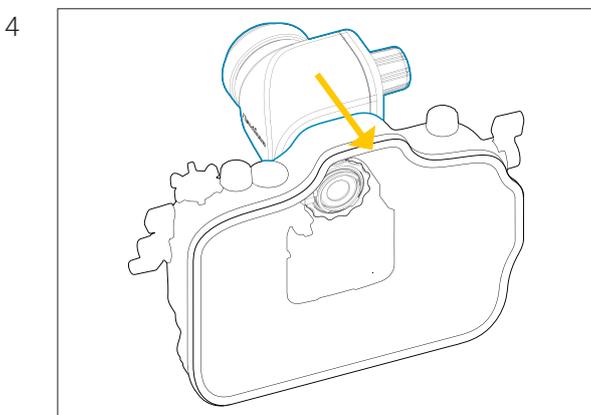
firstly remove the pre-installed 0.66x viewfinder from the housing by removing the retainer o-ring inside rear housing



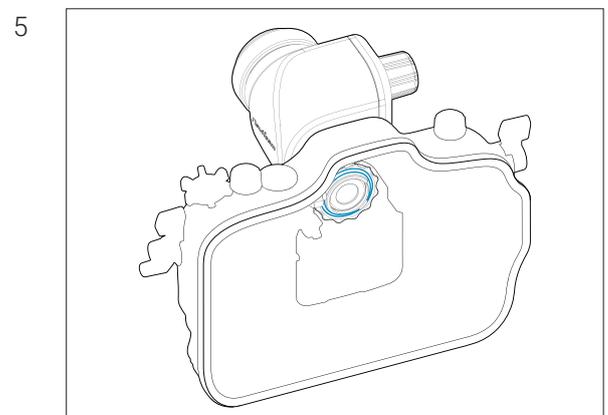
gently push the 0.66x viewfinder from the inside of the housing



remove the retainer o-ring from the viewfinder



align the viewfinder alignment pins with the LCD display window and push the viewfinder into the housing until it cannot go in any further



lightly lubricate the retainer o-ring and place it back from inside the housing

## CARE/STORAGE

1

Soak the housing system in fresh water after salt water usage

2

Operate all controls and buttons at least 3 times while immersed in fresh water

3

We recommend cleaning and inspecting the main O-ring each time after diving for any damage and every time the housing is opened.

4

Protect the housing with robust and shock-proof travel case during transportation. Do not travel with camera inside housing.

5

We recommend to ship the housing to our service centers for a complete overhaul after 500 dives/every 3 years.

# WARRANTY

All NAUTICAM Housing Products and Viewfinders are warranted against any material and manufacturing defects for two years from the date of purchase for consumer use. NAUTICAM Optical Accessories are warranted against material and manufacturing defects for a period of one year, and HDMI cables carry a year warranty.

This warranty only applies to products purchased from authorized NAUTICAM dealers and does not extend beyond the original retail purchaser.

To return your product for service, please contact your regional authorized service center(s). Please note that this warranty only applies when the product is purchased in the territory where the service center is located.

NAUTICAM accepts no liability for any damage to and defects in the housing caused by improper use and/or poor maintenance; it is the responsibility of the owner to carefully follow the instructions in our manuals.

NAUTICAM does not hold responsibility for damage, of any nature, to any equipment used with and/or placed within our products.

NAUTICAM accepts no liability for any loss of captured images or the inability to capture images even if it is due to the malfunctioning of our products.

Unauthorized modifications and/or repairs of our products will automatically invalidate the warranty.

# SPECIFICATIONS

## Construction

|                |                                  |
|----------------|----------------------------------|
| Housing body   | Hard Anodized Aluminium Alloy    |
| Display window | Abrasion Resistant Polycarbonate |

## Dimensions

|        |        |
|--------|--------|
| Width  | 347 mm |
| Height | 171 mm |
| Depth  | 127 mm |

## Weight

|                   |   |
|-------------------|---|
| In air            | 2.85 kg                                     |
| Buoyancy in water | negative 0.48 kg (incl. camera and battery) |

## Depth

|        |       |
|--------|-------|
| Rating | 100 m |
|--------|-------|

## Port Specifications

|                  |                           |
|------------------|---------------------------|
| Port mount       | N 100 Port System         |
| Port accessories | 1 x M24, 2 x M14, 1 x M10 |

## Surface USB-PD Power bank

|   |
|---|
| 26325 USB-C Bulkhead with USB-C Connector |
| 26326 M24-M16 Adaptor                     |

## Lanyard

|                                      |
|--------------------------------------|
| 25413 27cm Lanyard with 2 Snap Hooks |
|--------------------------------------|

## Viewfinder

|   |
|---|
| 32203 Nauticam 45° Viewfinder (slightly vignette)         |
| 32211 Nauticam Full Frame Straight Viewfinder 32° / 1:1   |
| 32212 Nauticam Full Frame Straight Viewfinder 40° / 0.8:1 |
| 32213 Nauticam Full Frame Angle Viewfinder 32° / 1:1      |
| 32214 Nauticam Full Frame Angle Viewfinder 40° / 0.8:1    |

\* 32212/32214 is preferred.

## Buoyancy Options

|  |
|--|
| 72216 Ø70x200mm Carbon Fibre Aluminium Float Arm (Buoyancy 370g) |
| 72217 Ø70x250mm Carbon Fibre Aluminium Float Arm (Buoyancy 520g) |
| 72218 Ø70x300mm Carbon Fibre Aluminium Float Arm (Buoyancy 670g) |
| 72219 Ø90x170mm Carbon Fibre Aluminium Float Arm (Buoyancy 450g) |
| 72220 Ø90x220mm Carbon Fibre Aluminium Float Arm (Buoyancy 720g) |
| 72233 Single Bayonet Holder II for Ø70 Float Arm                 |
| 72234 Double Bayonet Holder II for Ø70 Float Arm                 |
| 72243 Single Bayonet Holder II for Ø90 Float Arm                 |
| 72244 Double Bayonet Holder II for Ø90 Float Arm                 |
| 83252 Bayonet Holder for Arms                                    |
| 83253 Double Bayonet Holder for Arms                             |
| 83254 Bayonet Lens Holder for Inon Float Arms                    |
| 87516 EMWL Bayonet Holder for Ø70 Float Arm                      |
| 87517 EMWL Bayonet Holder for Ø90 Float Arm                      |

## HDMI CONNECTION & MONITOR OPTIONS

### HDMI Connectivity Required Accessories ( 2.0 )

|  |
|--|
| 25086 M24 Adaptor for HDMI 2.0 Cable     |
| 25099 M24A2R200-M28A1R170 HDMI 2.0 Cable |

### Monitor Options ( 2.0 )

|  |
|--|
| 17922 Nauticam Atomos Ninja V Housing    |
| 17922S Nauticam Atomos Ninja V-S Housing |

### HDMI Connectivity Required Accessories ( 1.4 )

|  |
|--|
| 26326 M24-M16 Adaptor                        |
| 25100 HDMI (D-A) 1.4 Cable in 200mm Length   |
| 25033 Standard HDMI Bulkhead with M16 Thread |

### Monitor Options ( 1.4 )

|   |
|---|
| 17922 Nauticam Atomos Ninja V Housing       |
| 17923 NA-Shinobi-H Housing (includes 25046) |
| 25082 HDMI 1.4 Cable                        |

## WET LENS COMPATIBILITY

*\*please refer to Nauticam port charts for more setup information.*

### Wet Lens

|                    |  |
|--------------------|--|
| Macro              | 81201 Super Macro Converter 1 (2.3x Magnification)   |
|                    | 81202 Super Macro Converter 2 (4x Magnification)   |
| Macro to Wideangle | 87303 EMWL Set #3 (incl. Focusing Unit #3, 150mm Relay Lens and 3 Objective Lenses)  |
|                    | 87203 EMWL Focusing Unit #3 (For Sony FF 90mm)   |
|                    | 87211 EMWL 150mm Relay Lens  |
|                    | 87212 EMWL Angled Relay Lens   |
|                    | 87221 EMWL 60° Objective Lens  |
|                    | 87222 EMWL 100° Objective Lens   |
|                    | 87223 EMWL 130° Objective Lens   |
|                    | 87226 EMWL 160° Objective Lens   |
| Wideangle          | 83202 Wet Wide Lens 1B (WWL-1B) 130 deg. FOV with Compatible 28mm Lenses (incl. float collar)                                  |
|                    | 83203 Wet Wide Lens Compact (WWL-C) 130 deg. FOV with Compatible 24mm Lenses (incl. float collar)                              |
|                    | 85204 Wide Angle Conversion Port - 2 (WACP-2) 140 Deg. FOV with Compatible 14mm Lenses (incl. float collar)                    |
|                    | 85205 N100 0.36x Wide Angle Conversion Port Compact (WACP-C)   |
|                    | 85206 N120/N100 0.36x Wide Angle Conversion Port with Integrated Float Collar and Interchangeable Port Mounting Ring (WACP-1B) |
|                    | 85207 N120/N100 Fisheye Conversion Port with Integrated Float Collar(FCP) 170 Deg. FOV with Compatible 28mm Lenses             |
|                    | 86201 Macro to Wideangle Lens 1 (MWL-1) 150 deg. FOV with Full Frame 60mm Macro Lens   |

### Optional Wet Lens Accessories

|  |
|--|
| 25101 M67 Flip Diopter Holder for M67 Macro Ports  |
| 25108 M67 Double Flip Holder for M67 Macro Ports   |
| 83250 M67 to Bayonet Converter II                  |
| 83251 M77 to Bayonet Converter II                  |
| 83214 Bayonet Mount Adaptor for SMC/CMC            |
| 87501 Flip Holder for EMWL                         |
| 87512 Shade for 130° Objective Lens                |
| 87513 Shade for 100° Objective Lens                |
| 87518 Strobe Mounting Brackets for EMWL Relay Lens |
| 87519 Shade for 160° Objective Lens                |

### Optional Monitor Mounting Accessories

|  |
|--|
| 17951 Nauticam Atomos Shogun Housing Mounting System   |
| 17952 Nauticam Monitor Housing Mounting Adaptor        |
| 17954 Tripod Plate                                     |
| 17960 Universal Quadra-Pod Plate for Nauticam Housings |

## FLASH TRIGGERING

### Optical

#### Manual Flash Trigger

|                                     |
|-------------------------------------|
| 26302 Mini Flash Trigger for Sony   |
| 26216 Universal Optical Fiber Cable |

### Electrical

|  |
|--|
| 25056 M14 Nikonos 5-pin Bulkhead with Universal Hotshoe Connection |
| 26326 M24-M16 Adaptor  |

**Nauticam Internationl Ltd.**

Rm 2203, CCT Telecom Bldg,  
11 Wo Shing St,  
Fo Tan,  
Hong Kong

Tel. +852 - 26902711  
Fax. +852 - 26909778  
URL. [www.nauticam.com](http://www.nauticam.com)  
Gallery. [www.nauticam.smugmug.com](http://www.nauticam.smugmug.com)